

TEMPERATURE SENSOR

T-233

Applications:

Temperature sensor for measurement of the air in ventilation ducts and systems, receptacles and furnaces.

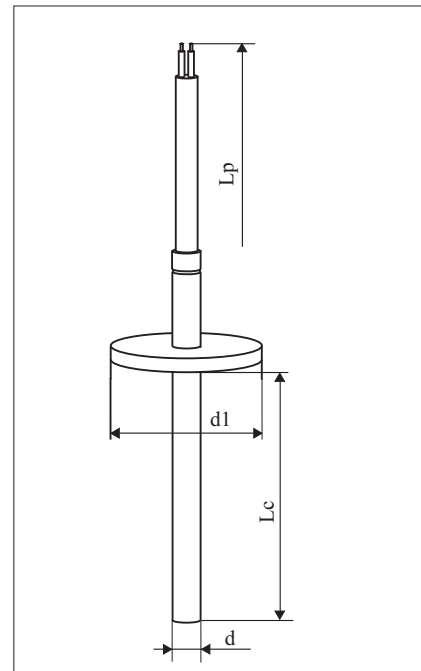
Technical Data

Measuring range	up to 800°C
Measuring insert	NiCr-NiAl (K) up to PN-EN 60584 others (J,L,T,E,N) IEC 584
Protection tube material	stainless steel 1H18N9T (1.4541)
Connecting cable	insolation fiberglass x 2 overbraid (standard)



Ordering code

T	-	233	-	-	-	-	-	-	-
Thermocouple type									
NiCr-NiAl (K)									K
others (J,L,T,E,N)									
Protection tube dia. d									
∅ 4 mm									4
others									
Disk diameter d1									
∅ 20 mm									20
others									
Protection tube length Lc									
50 mm									50
others									
Cable length Lp									
1,5 m									1,5
others									
Tolerance									
class 2									2
Connecting cable									
1 - insulation fiberglass x 2 - overbraid									1
others									



Order example:

T-233-K-4-20-50-1,5-2-1- thermocouple sensor type K, protection tube diameter d=4 mm, disk diameter d1=20 mm, length Lc=50 mm, length Lp=1,5 m, class 2, insulation fiberglass x 2 - overbraid.