

# TEMPERATURE SENSOR

## T-231a

### Applications:

Temperature sensor for measurement of gasses, solid bodies, moving parts of machinery.

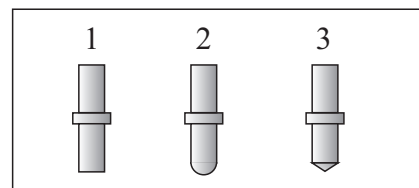
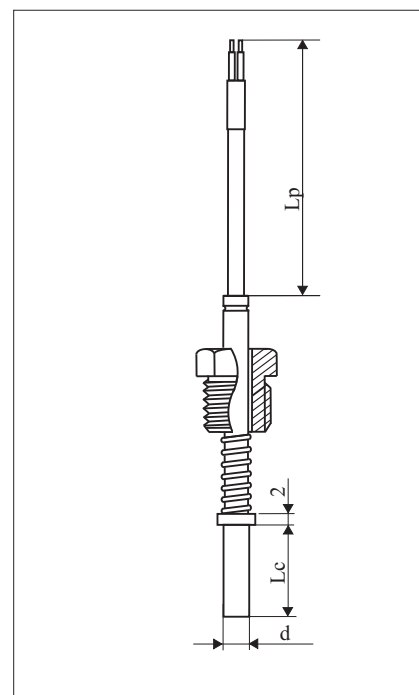
### Technical Data

Measuring range	up to 400°C (784°C)
Measuring insert	NiCr-NiAl (K) PN-EN 60584 others (J,L,T,E,N) IEC 584
Protection tube material	stainless steel 1H18N9T (1.4541)
Connecting cable	insulation fiberglass x 2 overbraid (standard)



### Ordering code

T	-	231a	-	-	-	-	-	-	-	-
Thermocouple type		NiCr-NiAl (K)		K						
Protection tube dia. d		∅ 5 mm		5						
Protection tube length Lc		25 mm		25						
Cable length Lp		1,5 m		1,5						
Process connection dimensions		M10x1		M10x1						
Ending type		type 1, 2, 3		e.g. 1						
Tolerance		class 2		2						
Assemble		without spring - no signs								
		with spring - S		S						



### Order example:

T-231a-K-5-25-1,5-M10x1-1-2-S- thermocouple type K, sensor diameter d=5 mm, length Lc=25 mm, length Lp=1,5 m, with thread M10x1, ending type 1, class 2, with the spring.