

# TEMPERATURE SENSOR



## T-230a

### Applications:

Temperature sensor for measurement of moving parts of machinery.

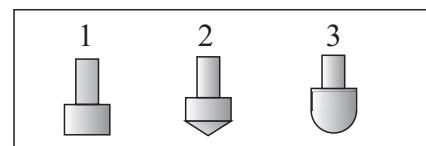
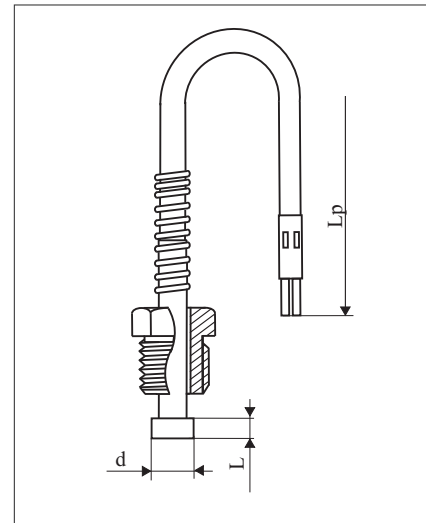
### Technical Data

Measuring range	up to 400°C (784°F)
Measuring insert	NiCr-NiAl (K) up to PN-EN 60584 others (J,L,T,E,N) IEC 584
Protection tube material	stainless steel 1H18N9T (1.4541)
Connecting cable	insulation fiberglass x 2 overbraid (standard)



### Ordering code

T	-	230a	-	-	-	-	-	-	-
Thermocouple type		NiCr-NiAl (K)		others (J,L,T,E,N)		K			
Protection tube dia. d		Ø 5 mm		others		5			
Sensor length L		5 mm		others		5			
Cable length Lp		1,5 m		others		1,5			
Process connection dimension		M10x1		others		M10x1			
Ending type		class 2		others		e.g. 2			
Tolerance		class 2		others				2	



### Order example:

T-230a-K-5-5-1,5-M10x1-1-2- thermocouple type K, sensor diameter d=5 mm, sensor length L=5 mm, length Lp=1,5 m, thread M10x1, ending type 1, class 2.