

TEMPERATURE SENSOR

T-203c

Zastosowanie:

Temperature sensor for measurement of blocks surfaces, parts of machinery or other construction elements.

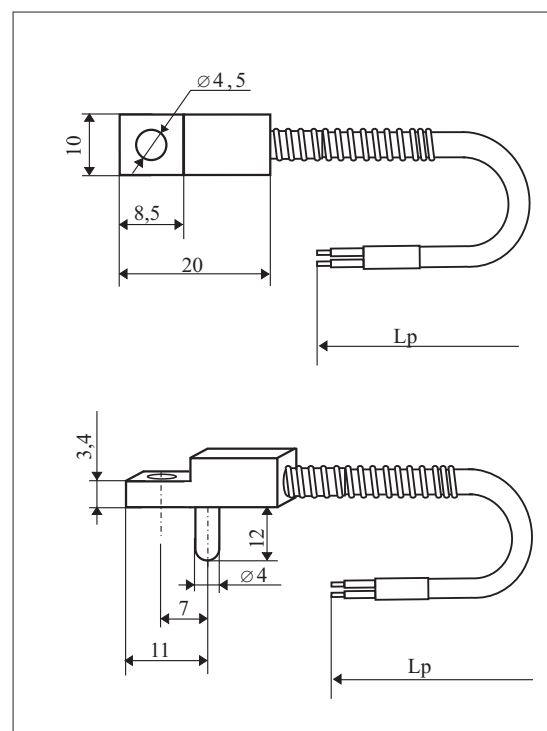
Technical Data

Measuring range	up to 400°C
Measuring insert	NiCr-NiAl (K) up to PN-EN 60584 others (J,L,T,E,N) IEC 584
Protection tube material	brass
Connectin cable	insulation fiberglass x 2 - overbraid (standard)



Ordering code

T	-	203c	-		-		-		-	
Thermocouple type										
NiCr-NiAl (K)										K
Fe-CuNi (J)										
others (L,T,E,N)										
Cable lenght Lp										
1,5 m										1,5
others										
Tolerance										
class 2										2
Connecting cable										
1 - insulation fiberglass x 2 - overbraid										1
others										



Order example:

T-203c-K-1,5-2-1-thermocouple type K, length Lp=1,5, class 2, cable insulation fiberglass x 2.