

# THERMO SENSOR

## TH-155a

### Application:

Temperature sensor designed for measurement in food, cosmetic and pharmaceutical process.

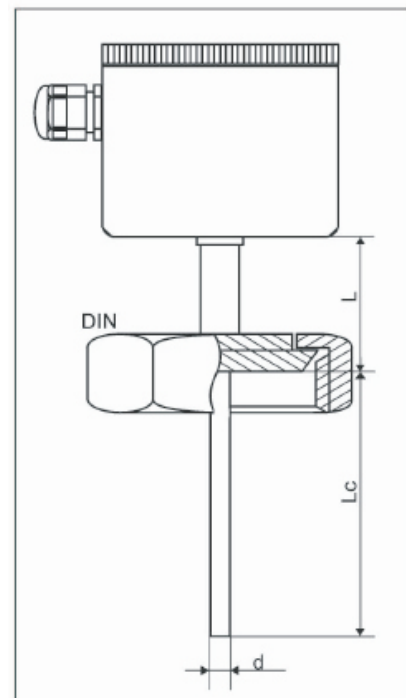
### Technical Data

|                      |  |
|----------------------|--|
| Measuring Range      | up to 200 C                              |
| Resistance type:     | Pt100 wg PN-EN 60751+A2<br>Pt1000, Pt500 |
| Connection material  | stal 304 (1.4301), 316L(1.4404)          |
| Header material H    | stal 304 (1.4301)                        |
| Temperature header H | 100°C                                    |
| With transmitter     | P - transmitters table                   |



### Order

|                           |           |
|---------------------------|-----------|
| Transmitter type in table | ex. P1    |
| Sensor dimension d        | 6         |
| Ø6 mm                     |           |
| other                     |           |
| Sensor length Lc          | 100       |
| 50 mm                     |           |
| other                     |           |
| Length L                  | 60        |
| 60mm                      |           |
| other                     |           |
| Thread dimension          | G1/2"     |
| M12x1,5                   |           |
| G3/8"                     |           |
| G1/2"                     |           |
| Header type               | ex. H     |
| B, MA, NA, H              |           |
| Connection type           | ex. 3     |
| 2-wired, 3-wired, 4-wired |           |
| Resistance class          | ex. B     |
| class - A, B, 1/3B        |           |
| Resistance type           | ex. Pt100 |
| Pt100, 2xPt100, other     |           |



### Order:

TH-155a-6-100-60-G1/2"-3-B-Pt100 – sensor dimension d= 6 mm, length Lc=100 mm, length L=60 mm, with thread G1/2", terminal head type H, 3-wire, class B, Pt100.